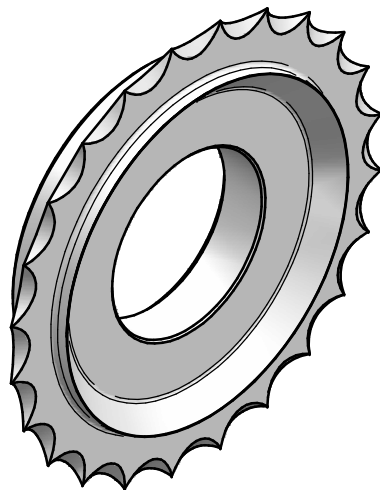
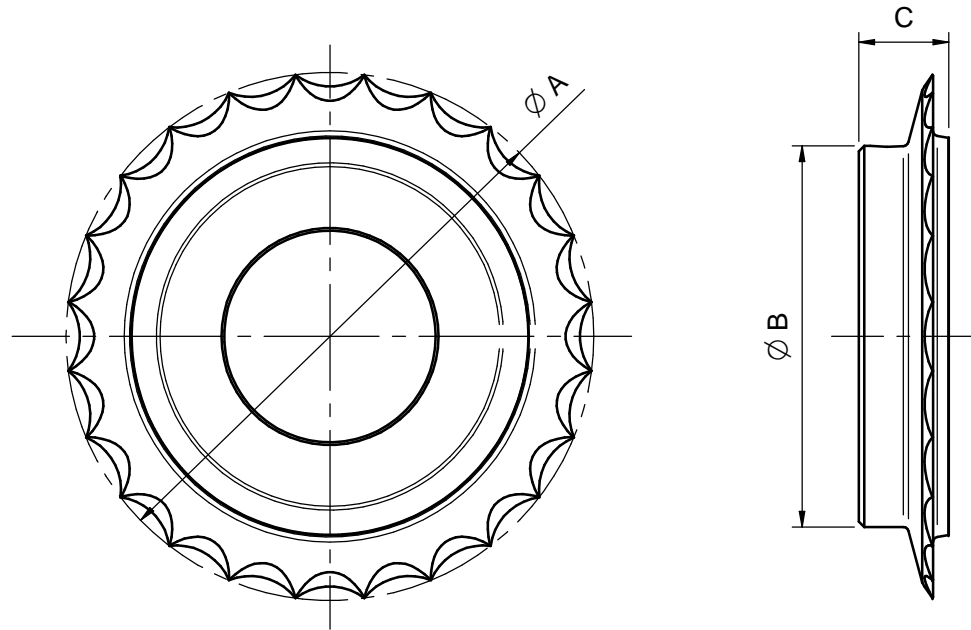


**TABLA DE DIMENSIONES Y REFERENCIAS**  
**TABLE OF DIMENSIONS AND PART NUMBERS**



| $\phi$ Eje (mm)<br>$\phi$ Shaft (mm) | A   | B   | C    | Referencia<br>Part Number |
|--------------------------------------|-----|-----|------|---------------------------|
| 22                                   | 80  | 53  | 17   | 40022022                  |
| 25                                   | 80  | 53  | 17   | 40025022                  |
| 30                                   | 80  | 53  | 17   | 40030022                  |
| 35                                   | 100 | 72  | 17   | 40035022                  |
| 40                                   | 100 | 72  | 17   | 40040022                  |
| 45                                   | 120 | 92  | 17   | 40045022                  |
| 50                                   | 120 | 92  | 17   | 40050022                  |
| 60                                   | 150 | 110 | 30   | 40060022                  |
| 70                                   | 180 | 128 | 31.5 | 40070022                  |
| 75                                   | 200 | 128 | 32.5 | 40075022                  |

| $\phi$ Eje (in)<br>$\phi$ Shaft (in) | A   | B  | C  | Referencia<br>Part Number |
|--------------------------------------|-----|----|----|---------------------------|
| 1"                                   | 80  | 53 | 17 | 40025023                  |
| 1 1/4"                               | 80  | 53 | 17 | 40032023                  |
| 1 1/2"                               | 100 | 72 | 17 | 40038023                  |
| 1 3/4"                               | 120 | 92 | 17 | 40044023                  |
| 2"                                   | 120 | 82 | 17 | 40051023                  |
| 2 1/4"                               | 120 | 92 | 17 | 40057023                  |

Cotas "A-B-C" en mm / "A-B-C" Dimensions in mm

**CORTACABOS**

**ROPE CUTTERS**

|                          |                        |                              |                        |              |
|--------------------------|------------------------|------------------------------|------------------------|--------------|
| MATERIAL<br>INOX A-316L  | ACABADO                | TRATAMIENTO                  | PRESENTACIÓN           | ESCALA<br>/. |
| DIBUJADO<br>VICTOR PEREZ | VERIFICADO<br>S. UBACH | FECHA CREACIÓN<br>18/04/2013 | ÚLTIMA REVISIÓN<br>--- |              |



**SOLÉ, S.A.**

**1785**